

# 1433 SERIES

## High-Accuracy Decade Resistor

### User and Service Manual



Copyright © 2023 IET Labs, Inc.  
Visit [www.ietlabs.com](http://www.ietlabs.com) for manual revision updates

1433 im/May 2023

Effective for serial numbers beginning with “E”



## WARRANTY

We warrant that this product is free from defects in material and workmanship and, when properly used, will perform in accordance with applicable IET specifications. If within one year after original shipment, it is found not to meet this standard, it will be repaired or, at the option of IET, replaced at no charge when returned to IET. Changes in this product not approved by IET or application of voltages or currents greater than those allowed by the specifications shall void this warranty. IET shall not be liable for any indirect, special, or consequential damages, even if notice has been given to the possibility of such damages.

THIS WARRANTY IS IN LIEU OF ALL OTHER WARRANTIES, EXPRESSED OR IMPLIED, INCLUDING BUT NOT LIMITED TO, ANY IMPLIED WARRANTY OF MERCHANTABILITY OR FITNESS FOR ANY PARTICULAR PURPOSE.

<b>Revision History</b>	
<b>Revision</b>	<b>Description</b>
May 5, 2023	Added 1433-10A and safety symbols and precautions, reference to IEC60477-1 for laboratory resistors

## SAFETY PRECAUTIONS

The following general safety precautions must be observed during all phases of operation, service, and repair of this instrument. Failure to comply with these precautions or with specific WARNINGS elsewhere in this manual may impair the protection provided by the equipment. Such noncompliance would also violate safety standards of design, manufacture, and intended use of the instrument.

IET Labs assumes no liability for the customer's failure to comply with these precautions.

The 1433-XX complies with INSTALLATION CATEGORY I as well as POLLUTION DEGREE 2 in IEC61010-1 .

The 1433-XX has been designed to meet the requirements of IEC-60477-1:2022 Laboratory resistors Part 1 Laboratory dc resistors.

If an instrument is marked CAT I (IEC Measurement Category I), or it is not marked with a measurement category, its measurement terminals must not be connected to line-voltage mains.

The 1433-XX is an indoor use product.



DANGEROUS PROCEDURE WARNINGS



Comply with all WARNINGS - Procedures throughout in this manual and instructions on the instrument prevent you from potential hazard. These instructions contained in the warnings must be followed.

### BEFORE APPLYING POWER

Verify that all safety precautions are taken. Make all connections to the instrument before applying power. Note the instrument's external markings described under "Safety Symbols".

### GROUND THE INSTRUMENT

To minimize shock hazard, the instrument chassis and cabinet can be connected to an electrical ground. The maximum voltage between Hi and Lo binding post terminals and chassis ground should not exceed 2000 V peak.

## Safety Symbols

General definitions of safety symbols used on the instrument or in manuals are listed below.



Caution symbol: the product is marked with this symbol when it is necessary for the user to refer to the instruction manual.



Hazardous voltage symbol: the product is marked with this symbol when high voltage maybe present on the product and an electrical shock hazard can exist.



Indicates the grounding protect terminal, which is used to prevent electric shock from the leakage on chassis. The ground terminal must connect to earth before using the product



Direct current.



Alternating current.



Frame or chassis terminal. A connection to the frame (chassis) of the equipment which normally includes all exposed metal structures.



On supply.



Off supply.



Hot surface. Avoid contact. Surfaces are hot and may cause personal injury if touched.

### Disposal



Waste Electrical and Electronic Equipment (WEEE) Directive 2002/96/EC

This product complies with the WEEE Directive (2002/96/EC) marking requirements.

The affixed label indicates that you must not discard this electrical/ electronic product in domestic household waste.

Product Category: With reference to the equipment types in the WEEE directive Annex 1, this product is classified as a “Monitoring and Control instrumentation” product.

Do not dispose of electrical appliances as unsorted municipal waste, use separate collection facilities.

Contact your local government for information regarding the collection systems available. If electrical appliances are disposed of in landfills or dumps, hazardous substances can leak into the groundwater and get into the food chain, damaging your health and well-being.

When replacing old appliances with new one, the retailer is legally obligated to take back your old appliances for disposal.

### Proposition 65 Warning for California Residents



**WARNING:** Cancer and Reproductive Harm - [www.P65Warnings.ca.gov](http://www.P65Warnings.ca.gov).

This product may contain chemicals known to the State of California to cause cancer, birth defects, or other reproductive harm



## WARNING



OBSERVE ALL SAFETY RULES  
WHEN WORKING WITH HIGH VOLTAGES OR LINE VOLTAGES.

**Dangerous voltages may be present inside this instrument. Do not open the case  
Refer servicing to qualified personnel**

### **HIGH VOLTAGES MAY BE PRESENT AT THE TERMINALS OF THIS INSTRUMENT**

WHENEVER HAZARDOUS VOLTAGES (> 45 V) ARE USED, TAKE ALL MEASURES TO  
AVOID ACCIDENTAL CONTACT WITH ANY LIVE COMPONENTS.

USE MAXIMUM INSULATION AND MINIMIZE THE USE OF BARE  
CONDUCTORS WHEN USING THIS INSTRUMENT.

**Use extreme caution when working with bare conductors or bus bars.**

WHEN WORKING WITH HIGH VOLTAGES, POST WARNING SIGNS AND  
KEEP UNREQUIRED PERSONNEL SAFELY AWAY.



## CAUTION



DO NOT APPLY ANY VOLTAGES OR CURRENTS TO THE TERMINALS OF THIS  
INSTRUMENT IN EXCESS OF THE MAXIMUM LIMITS INDICATED ON  
THE FRONT PANEL OR THE OPERATING GUIDE LABEL.

# Contents

<b>Chapter 1 Introduction .....</b>	<b>1</b>
1.1 Product Overview .....	1
<b>Chapter 2 Specifications .....</b>	<b>2</b>
Decade Specifications .....	2
<b>Chapter 3 Operation .....</b>	<b>5</b>
3.1 Initial Inspection and Setup .....	5
3.2 Connection .....	5
3.2.1 General Considerations.....	5
3.2.2 Electrical Considerations .....	5
3.2.3 Four-Wire Kelvin-Lead Connections .....	6
3.2.4 Thermal emf Considerations.....	6
3.3 Dial Setting .....	6
<b>Chapter 4 Maintenance.....</b>	<b>7</b>
4.1 Preventative Maintenance .....	7
4.2 Calibration Interval .....	7
4.3 General Considerations.....	7
4.4 Calibration Procedure .....	8
4.5 Schematic.....	8
4.6 Replaceable Parts List.....	9

## Tables and Figures

<i>Figure 1-1: 1433 Series High Accuracy Decade Resistor</i> .....	1
<i>Figure 2-1: Sample operating guide affixed to unit</i> .....	4
<i>Figure 3-1: Optimal 4-Wire Kelvin Lead Connection</i> .....	6
<i>Figure 4-1: 1433 Series Schematic Diagram</i> .....	8
<i>Table 4-1: Replacement List</i> .....	9
<i>Figure 4-2: 1433 Replaceable Parts</i> .....	9



# Chapter 1

## INTRODUCTION

### 1.1 Product Overview

The **1433** Decade Resistors are a family of instruments providing a very broad choice of high-performance resistance sources. Any number of decades from one to eleven is available.

The **1433** is a precision resistance source with excellent characteristics of stability, temperature coefficient, power coefficient, and frequency response.

There are over 30 models available covering a wide resistance range from 1 m $\Omega$  to over 111 M $\Omega$ . The **1433** Series employs stable, very-low-resistance switches with silver-alloy contacts. A special design keeps zero-resistance to less than 1 m $\Omega$  per decade. Self-cleaning keeps the silver contacts from becoming tarnished when unused, or when only low currents are passed through them. This is most often the case when only minute test currents are drawn by digital multimeters or other test instruments. Contact resistance is stable and remains low and repeatable.

The dials, marked “0” to “10”, offer smooth rotation from position to position with no stops. Each dial has an overlap “10” position for maximum convenience and flexibility in setting and adjusting resistance values. The resistance per step and maximum current of each dial are clearly shown on the front panel. Electrical shielding is provided by an attractive aluminum cabinet and front panel. The resistance elements have no electrical connection to the cabinet and panel; a separate shield terminal is provided.

High-quality gold-plated, tellurium-copper binding posts serve to minimize the thermal emf effects which can introduce errors into dc resistance measurements. All other conductors within the instrument, as well as the solder employed, contain no metals or junctions that contribute to thermal emf problems.

With a minimum resistance as low as 1 m $\Omega$  and a maximum available resistance of over 111 M $\Omega$ , the **1433** series may be used for exacting precision measurement applications requiring high accuracy, good stability, and low zero-resistance. They can be used as components of dc and ac bridges, for calibration, as transfer standards, and as RTD simulators.

The **1433** Series may be rack-mounted to serve as components in measurement and control systems.

This series is part of a family of resistance substitutes suitable for filling many engineering and testing needs. Consult IET for:

- HPRS** High-power substitutes - up to >400 W
- HRRS** High-resistance substitutes - to 1 T $\Omega$
- RTD** simulators
- HARS-LX** Laboratory-standard-grade substitutes - to 1 ppm accuracy
- PRS** Programmable substitutes - IEEE-488 or BCD; SCPI protocol.



**Figure 1-1: 1433 Series High Accuracy Decade Resistor**

## Chapter 2

# SPECIFICATIONS

For the convenience of the user, the pertinent specifications are given in an **OPERATING GUIDE** affixed to the case of the instrument.

### Decade Specifications

Resistance per step	Total decade resistance	Max current	Max voltage (per step)	Max power (per step)	Stability ( $\pm$ ppm/yr)	Long-term stability ( $\pm$ ppm/3 yrs)	Temperature coefficient ( $\pm$ ppm/ $^{\circ}$ C)	Resistor type
1 m $\Omega$	10 m $\Omega$	8.0 A	5 mV	0.04 W	50	75	50	Resistance wire
10 m $\Omega$	100 m $\Omega$	4.0 A	40 mV	0.16 W	50	75	20	
100 m $\Omega$	1 $\Omega$	1.6 A	0.16 V	0.25 W	50	75	20	
1 $\Omega$	10 $\Omega$	0.8 A	0.8 V	0.6 W	20	25	20	Wirewound, non-inductive
10 $\Omega$	100 $\Omega$	0.25 A	2.5 V	0.6 W	20	25	15	
100 $\Omega$	1 k $\Omega$	80 mA	8 V	0.6 W	20	25	5	
1 k $\Omega$	10 k $\Omega$	23 mA	23 V	0.5 W	20	25	5	
10 k $\Omega$	100 k $\Omega$	7 mA	70 V	0.5 W	20	25	5	
100 k $\Omega$	1 M $\Omega$	2.3 mA*	230 V*	0.5 W*	20	25	5	
1 M $\Omega$	10 M $\Omega$	0.7 mA*	700 V*	0.5 W*	20	25	5	Metal oxide film
10 M $\Omega$	100 M $\Omega$	0.1 mA*	1000 V*	0.1 W*	50	100	10	

\*Subject to maximum of 2000 V to case

#### Accuracy:

$\leq 1$  M $\Omega$  decades:  $\pm(0.01\% + 2 \text{ m}\Omega)$

10 M $\Omega$  decades:  $\pm 0.03\%$

after subtraction of zero resistance, at 23 $^{\circ}$ C;  
traceable to SI

#### Zero resistance:

$\leq 1$  M $\Omega$  decades:  $< 1 \text{ m}\Omega$  per decade at dc

10 M $\Omega$  decade:  $\approx 3 \text{ m}\Omega$  at dc

#### Max voltage to case:

2000 V peak

#### Terminals:

3 Gold-plated, 5-way, tellurium-copper binding posts with low thermal emf and low resistance. Rear outputs are available as an option.

-K Option: Kelvin connection to is available as an option with 5 binding posts

#### Typical Value of Zero Impedance:

$< 0.001 \Omega$ /decade at 1 Hz

$0.04 \Omega$ /decade at 1 MHz

Proportional to square root of frequency above 100 kHz

#### Switch capacitance:

$< 1 \text{ pF}$  between contacts

#### Zero Inductance ( $L_0$ ):

$0.1 \mu\text{H}$ /decade +  $0.2 \mu\text{H}$ .

#### Switches:

Continuous rotation

11 positions marked "0"-10"

Multiple solid silver-alloy contacts

#### Environmental conditions:

**Operating:** 10 $^{\circ}$ C to 40 $^{\circ}$ C

**Storage:** -40 $^{\circ}$ C to 70 $^{\circ}$ C

**Humidity:**  $< 80\%$  RH

#### Supplied with unit:

Instruction manual

Calibration Certificate

**Mechanical:**

Model	Dimensions	Weight
<b>3 decade</b>	31 cm W x 8.9 cm H x 10.2 cm D (12.2" x 3.5" x 4")	1.7 kg 3.8 lb
<b>4-5 decade</b>	37.6 cm W x 8.9 cm H x 10.2 cm D (14.8" x 3.5" x 4")	2.0 kg 4.3 lb
<b>6-7 decades</b>	43.9 cm W x 8.9 cm H x 10.2 cm D (17.3" x 3.5" x 4")	2.4 kg 5.3 lb
<b>8-9 decades</b>	48.3 cm W x 17.8 cm H x 17.8 cm D (19" x 7" x 7")	3.5 kg 7.7 lb
<b>10-11 decades</b>		3.7 kg 8.1 lb

**Ordering Information:**

Model	Total resistance	Number of decades	Resolution	Historic GR model numbers
<b>1433-01</b>	1.11 $\Omega$	3	0.001 $\Omega$	
<b>1433-00</b>	111.1 $\Omega$	4	0.01 $\Omega$	1433-U
<b>1433-02</b>	1.111 k $\Omega$	4	0.1 $\Omega$	1433-K
<b>1433-04</b>	11.11 k $\Omega$	4	1 $\Omega$	1433-J
<b>1433-06</b>	111.1 k $\Omega$	4	10 $\Omega$	1433-L
<b>1433-08</b>	1.111 M $\Omega$	4	100 $\Omega$	1433-Q
<b>1433-09</b>	11.11 M $\Omega$	4	1 k $\Omega$	
<b>1433-09A</b>	111.1 M $\Omega$	4	10 k $\Omega$	
<b>1433-10A</b>	111.11 $\Omega$	5	0.001 $\Omega$	
<b>1433-10</b>	1.1111 k $\Omega$	5	0.01 $\Omega$	1433-T
<b>1433-12</b>	11.111 k $\Omega$	5	0.1 $\Omega$	1433-N
<b>1433-14</b>	111.11 k $\Omega$	5	1 $\Omega$	1433-M
<b>1433-16</b>	1.1111 M $\Omega$	5	10 $\Omega$	1433-P
<b>1433-18</b>	11.111 M $\Omega$	5	100 $\Omega$	1433-Y
<b>1433-18A</b>	111.11 M $\Omega$	5	1 k $\Omega$	
<b>1433-19</b>	1.111 11 k $\Omega$	6	0.001 $\Omega$	
<b>1433-20</b>	11.1111 k $\Omega$	6	0.01 $\Omega$	1433-W
<b>1433-22</b>	111.111 k $\Omega$	6	0.1 $\Omega$	1433-X
<b>1433-24</b>	1.111 11 M $\Omega$	6	1 $\Omega$	1433-B
<b>1433-26</b>	11.1111 M $\Omega$	6	10 $\Omega$	1433-Z
<b>1433-27</b>	111.111 M $\Omega$	6	100 $\Omega$	
<b>1433-28</b>	11.111 11 k $\Omega$	7	0.001 $\Omega$	
<b>1433-29</b>	111.1111 k $\Omega$	7	0.01 $\Omega$	1433-F
<b>1433-31</b>	1.111 111 M $\Omega$	7	0.1 $\Omega$	1433-G

Model	Total resistance	Number of decades	Resolution	Historic GR model numbers
<b>1433-33</b>	11.111 11 M $\Omega$	7	1 $\Omega$	1433-H
<b>1433-34</b>	111.1111 M $\Omega$	7	10 $\Omega$	
<b>1433-35</b>	111.111 11 k $\Omega$	8	0.001 $\Omega$	
<b>1433-36</b>	1.111 111 1 M $\Omega$	8	0.01 $\Omega$	
<b>1433-37</b>	11.111 111 M $\Omega$	8	0.1 $\Omega$	
<b>1433-38</b>	111.111 11 M $\Omega$	8	1 $\Omega$	
<b>1433-39</b>	1.111 111 11 M $\Omega$	9	0.001 $\Omega$	
<b>1433-39A</b>	11.111 111 1 M $\Omega$	9	0.01 $\Omega$	
<b>1433-39B</b>	111.111 111 M $\Omega$	9	0.1 $\Omega$	
<b>1433-40A</b>	11.111 111 11 M $\Omega$	10	0.001 $\Omega$	
<b>1433-40</b>	111.111 111 1 M $\Omega$	10	0.01 $\Omega$	
<b>1433-41</b>	111.111 111 11 M $\Omega$	11	0.001 $\Omega$	

**OPTIONS:**

- 1433-XX-RM:** Rack mount front panel
- 1433-XX-RO:** Rear output binding posts
- 1433-XX-K:** Kelvin-type 4-terminal posts

## 1433 SERIES PRECISION DECADE RESISTORS

Resistance per step	Total decade resistance	Max current	Max voltage	Power per/step	Stability	Long-term stability	Temp. coefficient	Resistor type
1 mΩ	10 mΩ	8.0 A	5 mV	0.04 W	±50 ppm/yr	±75 ppm/3 yrs	± 50 ppm/°C	Resistance Wire
10 mΩ	100 mΩ	4.0 A	40 mV	0.16 W	±50 ppm/yr	±75 ppm/3 yrs	± 20 ppm/°C	
100 mΩ	1 Ω	1.6 A	0.16 V	0.25 W	±50 ppm/yr	±75 ppm/3 yrs	± 20 ppm/°C	
1 Ω	10 Ω	0.8 A	0.8 V	0.6 W	±20 ppm/yr	±25 ppm/3 yrs	± 20 ppm/°C	Wirewound, non-inductive
10 Ω	100 Ω	0.25 A	2.5 V	0.6 W	±20 ppm/yr	±25 ppm/3 yrs	± 15 ppm/°C	
100 Ω	1 kΩ	80 mA	8 V	0.6 W	±20 ppm/yr	±25 ppm/3 yrs	± 5 ppm/°C	
1 kΩ	10 kΩ	23 mA	23 V	0.5 W	±20 ppm/yr	±25 ppm/3 yrs	± 5 ppm/°C	
10 kΩ	100 kΩ	7 mA	70 V	0.5 W	±20 ppm/yr	±25 ppm/3 yrs	± 5 ppm/°C	
100 kΩ	1 MΩ	2.3 mA*	230 V*	0.5 W*	±20 ppm/yr	±25 ppm/3 yrs	± 5 ppm/°C	
1 MΩ	10 MΩ	0.7 mA*	700 V*	0.5 W*	±20 ppm/yr	±25 ppm/3 yrs	± 5 ppm/°C	Metal oxide film
10 MΩ	100 MΩ	0.1 mA*	1000 V*	0.1 W*	±50 ppm/yr	±100 ppm/3 yrs	± 10 ppm/°C	

**Accuracy:**     **≤1 MΩ steps:** ±(0.01% + 2 mΩ)  
**10 MΩ steps:** ±0.03%  
 At 23°C, after subtraction of zero resistance  
 Traceable to SI

**Zero Resistance:** **≤1 MΩ steps:** ≤1 mΩ per decade  
**10 MΩ steps:** approx. 3 mΩ

**Max Voltage to Case:** 2000 V peak

**Switch Type:** Multiple solid silver alloy contacts; continuous-rotation; 11 positions marked "0" to "10".

**Operation:** If switches have not been operated for an extended period, they should be rotated a few times in both directions to restore contact resistance to specifications.

**Operating Conditions:** +10 to + 40°C, <50% RH.

\*Subject to maximum of 2000 V to case

**WARNING**



Observe all safety rules when working with high voltages or line voltages. Connect the (G) terminal to earth ground in order to maintain the case at a safe voltage. Whenever hazardous voltages (>45 V) are used, take all measures to avoid accidental contact with any live components: a) Use maximum insulation and minimize the use of bare conductors. b) Remove power when adjusting switches. c) Post warning signs and keep personnel safely away.



formerly made by  
**GenRad**

**IET LABS, INC.**

• 534 Main Street, Westbury, NY 11590 • (516) 334-5959 • Fax: (516) 334-5988

CAGE CODE: 62015

[www.ietlabs.com](http://www.ietlabs.com)

1433 lb/1433 genl/p4/48%/02-07-2013

*Figure 2-1: Sample operating guide affixed to unit*

# Chapter 3

## OPERATION

### 3.1 Initial Inspection and Setup

This instrument was carefully inspected before shipment. It should be in proper electrical and mechanical order upon receipt.

An **OPERATING GUIDE** is attached to the case of the instrument to provide ready reference to specifications.

### 3.2 Connection

#### 3.2.1 General Considerations

The **1433** Series Decade unit provides three terminals labeled **H** (high), **L** (low), and **G** (ground). The **H** and **L** terminals are connected to the set resistance; the **G** terminal is connected to the case. The **G** terminal may be used as a guard or shield terminal. It may also be connected (using a shorting link) to the **L** terminal to allow two-terminal as opposed to three-terminal measurements.

In order to make the most stable measurements, determine which is the more sensitive of the two user leads, i.e. the one going into a higher impedance. This lead should be connected to the more *protected* of the two terminals: **H** (high) or **L** (low). That would either be the terminal that is shorted to the case, or the **L** terminal if neither is connected to the **G** (case).

If switches have not been operated for an extended period, they should be rotated a few times to assure that contact resistance is within specifications.

### 3.2.2 Electrical Considerations

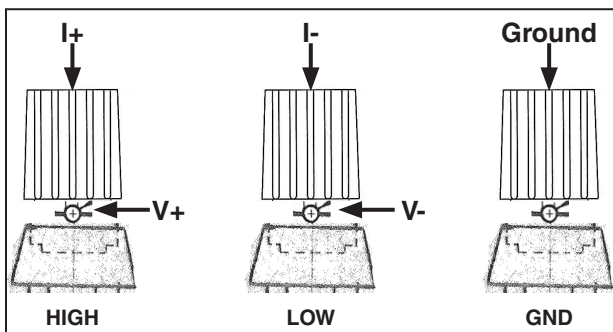
In order to make proper use of the full performance capabilities of the **1433** unit, especially if low resistance or low-resistance increments are important, take care when connecting to the terminals. In particular, in order to keep contact resistance to a minimum, make the most substantial and secure connection to the binding posts. They accept banana plugs, telephone tips, spade lugs, alligator clips, and bare wire. The largest or heaviest mating connection should be made, and, where applicable, the binding posts should be securely tightened.

These considerations may be relaxed whenever single milliohms are considered insignificant for the task being performed.

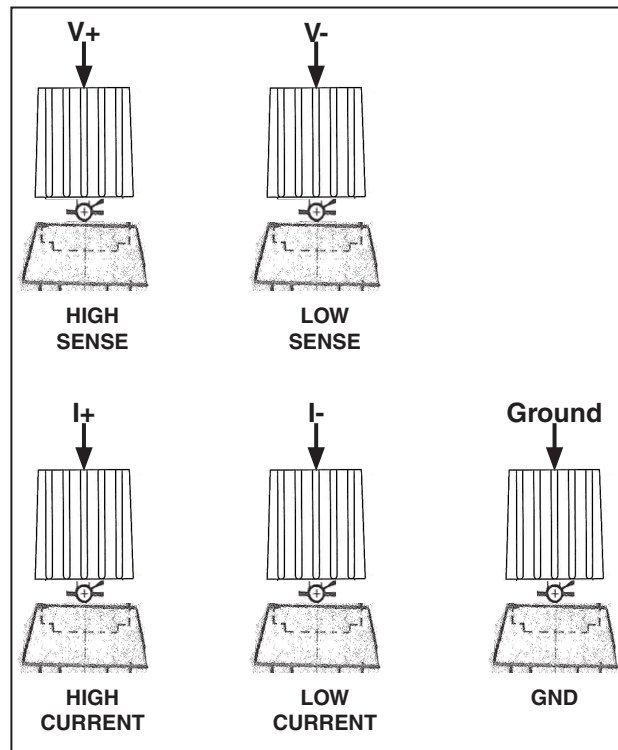
### 3.2.3 Four-Wire Kelvin-Lead Connections

Whenever possible, 4-wire Kelvin leads (the best connection) should be employed. Such a connection minimizes the effects of contact resistance and approaches ideal performance.

If the four terminals are available as clamps similar to alligator clips, they may be connected to the necks of the binding posts on a 3-terminal unit. If the four-wire connections are available separately, the optimal connections are shown in Figure 3-1 and Figure 3-2.



**Figure 3-1: 4-Wire connection to a 3-terminal unit**



**Figure 3-2: 4-Wire connection to a 5-terminal unit**

### 3.2.4 Thermal emf Considerations

The highest-quality low-emf components are used in the 1433 Series. There nevertheless may be some minute thermal emf generated at the test leads where they contact the gold-plated binding posts.

This emf will not manifest itself if an ac measurement instrument is employed. It will also be eliminated if a meter with a "True Ohm" capability is used. Otherwise it may appear as a false component of the dc resistance measurement. It is possible to eliminate this component of the reading error by taking a second measurement with the leads reversed and averaging the readings.

### 3.3 Dial Setting

Whenever the dials are used in positions 0-9, the resulting resistance is read directly. The decimal point and the steps are clearly marked on the panel. For additional flexibility and range, each decade provides a "10" position setting. This "10" position on any one decade equals the "1" position on the next higher decade. It adds about 11% to the nominal total decade resistance.

To determine the resistance obtained when one or more "10" settings are used, simply add "1" to the next higher decade. For example, a setting of 3-6-10-0-10  $\Omega$  becomes:

3	3	0	0	0	0
6	6	0	0	0	0
10	1	0	0	0	0
0			0	0	
10			1	0	
<b>TOT</b>	<b>3</b>	<b>7</b>	<b>0</b>	<b>1</b>	<b>0</b>

and a setting of 10-10-10-10-10.10  $\Omega$  becomes:

10	1	0	0	0	0	0.0
10	1	0	0	0	0	0.0
10		1	0	0	0.0	
10			1	0	0.0	
10				1	0.0	
.10						1.0
<b>TOT</b>	<b>1</b>	<b>1</b>	<b>1</b>	<b>1</b>	<b>1</b>	<b>1.0</b>

## Chapter 4

# MAINTENANCE

### 4.1 Preventative Maintenance

Keep the unit in a clean environment. This will help prevent possible contamination.

The 1433 is packaged in a closed case, which limits the entry of contaminants and dust to the inside of the instrument. If it is maintained in a clean or air-conditioned environment, cleaning will seldom be required. In a contaminated atmosphere, cleaning may be required.

Should cleaning be needed, do the following:

1. Remove the 4 screws from the sides of the housing, and remove the housing.
2. Remove any dust or debris using optical grade dry compressed air or a clean brush.
3. Should switch contact cleaning or lubrication be required, as may be indicated by an increase in the zero resistance, this may be done by applying a drop of a conditioning compound such as Deoxit from Caig Laboratories, or Super Lube with PTFE from Synco Chemical Corp on the switch contacts.
4. Replace the housing and reinstall the 4 housing screws.

The front panel should be periodically cleaned to eliminate any leakage paths around the binding posts. To do this wipe the front panel clean using alcohol and a lint-free cloth.

### 4.2 Calibration Interval

The recommended calibration interval for **1433** Series decade substituters is twelve (12) months. The calibration procedure may be carried out by the user if a calibration capability is available, by IET Labs, or by a certified calibration laboratory. If the user should choose to perform this procedure, then the considerations below should be observed.

### 4.3 General Considerations

It is important, whenever testing the **1433** Series Decade Units, to be very aware of the capabilities and limitations of the test instruments used. A resistance bridge may be employed, and there are direct-reading resistance meters or digital multimeters available that can verify the accuracy of these units, especially when used in conjunction with standards that can serve to confirm or improve the accuracy of the testing instrument

Such test instruments must be significantly more accurate than  $\pm(100 \text{ ppm} + 2 \text{ m}\Omega)$  for all applicable ranges, allowing for a band of uncertainty of the instrument itself. A number of commercial bridges and meters exist that can perform this task; consult IET Labs.

It is important to allow both the testing instrument and the **1433** to stabilize for a number of hours at the nominal operating temperature of 23°C, and at nominal laboratory conditions of humidity <80% RH. There should be no temperature gradients across the unit under test.



Substantial Kelvin-type 4-wire test terminals should be used to obtain accurate low-resistance readings. It is convenient, once the zero resistance has been determined, to subtract it from the remaining measurements. This can be automatically done in many instruments which have an offset subtraction capability.

#### 4.4 Calibration Procedure

1. Employ proper metrological practices.  
*Allow a confidence band for the uncertainty of the measuring instrument and setup.*
2. Confirm the zero resistance of the unit.
3. Determine the allowable upper and lower limits for each resistance setting of each decade based on the specified accuracy.  
*For the 1433 series, these limits for any resistance "R" are  $[R \pm (0.0001 R + 2 \text{ m}\Omega)]$ .*
4. Confirm that the resistances fall within these limits after subtraction of the zero resistance.
5. If any resistances fall outside these limits, the associated switch assembly may require trimming or replacement.

#### 4.5 Schematic

Figure 4-1 gives the schematic of the 1433 decade unit.

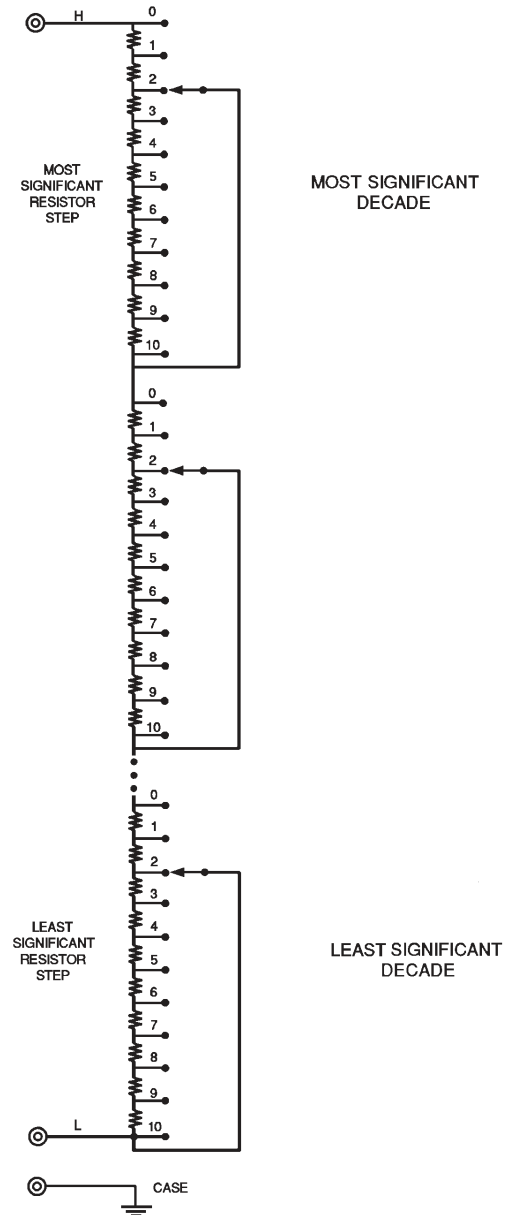


Figure 4-1: 1433 Series Schematic Diagram

### 4.6 Replaceable Parts List

Model Ref	IET Pt No	Description
1	BP-1000-RD	Binding Post, Red
2	BP-1000-BK	Binding Post, Black
3	BP-1000-GN	Binding Post, Green
4	1433-4300-KNB	Knob Assembly
Not Shown	1433-3100	Foot
Not Shown	1433-4000-X-.001	1 mΩ/step Decade Switch Assembly
Not Shown	1433-4000-X-0.01	10 mΩ/step Decade Switch Assembly
Not Shown	1433-4000-X-0.1	100 mΩ/step Decade Switch Assembly
Not Shown	1433-4000-X-1	1 Ω/step Decade Switch Assembly
Not Shown	1433-4000-X-10	10 Ω/step Decade Switch Assembly
Not Shown	1433-4000-X-100	100 Ω/step Decade Switch Assembly
Not Shown	1433-4000-X-1k	1 kΩ/step Decade Switch Assembly
Not Shown	1433-4000-X-10k	10 kΩ/step Decade Switch Assembly
Not Shown	1433-4000-X-100k	100 kΩ/step Decade Switch Assembly
Not Shown	1433-4000-X-1M	1 MΩ/step Decade Switch Assembly
Not Shown	1433-4000-X-10M	10 MΩ/step Decade Switch Assembly

**Table 4-1: Replacement List**



**Figure 4-2: 1433 Replaceable Parts**